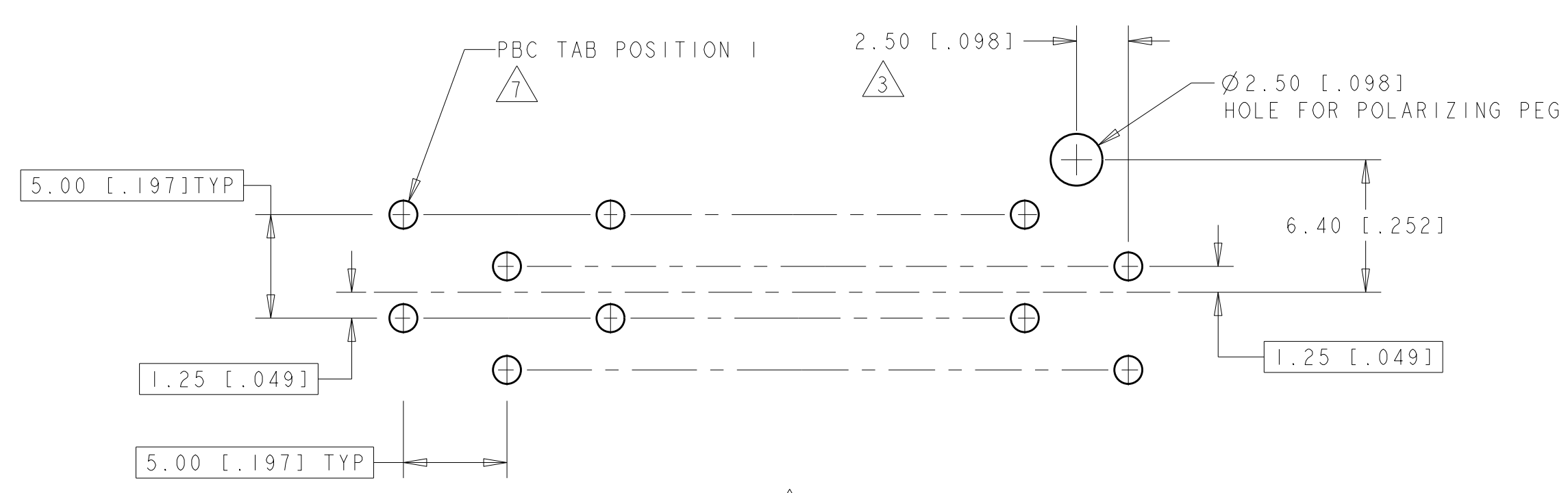
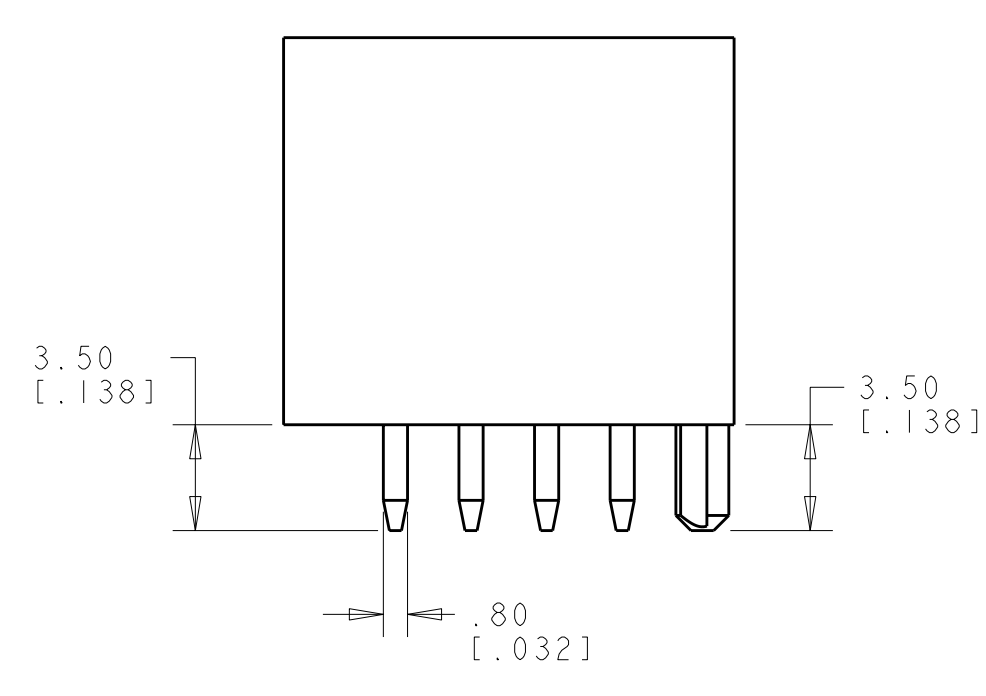
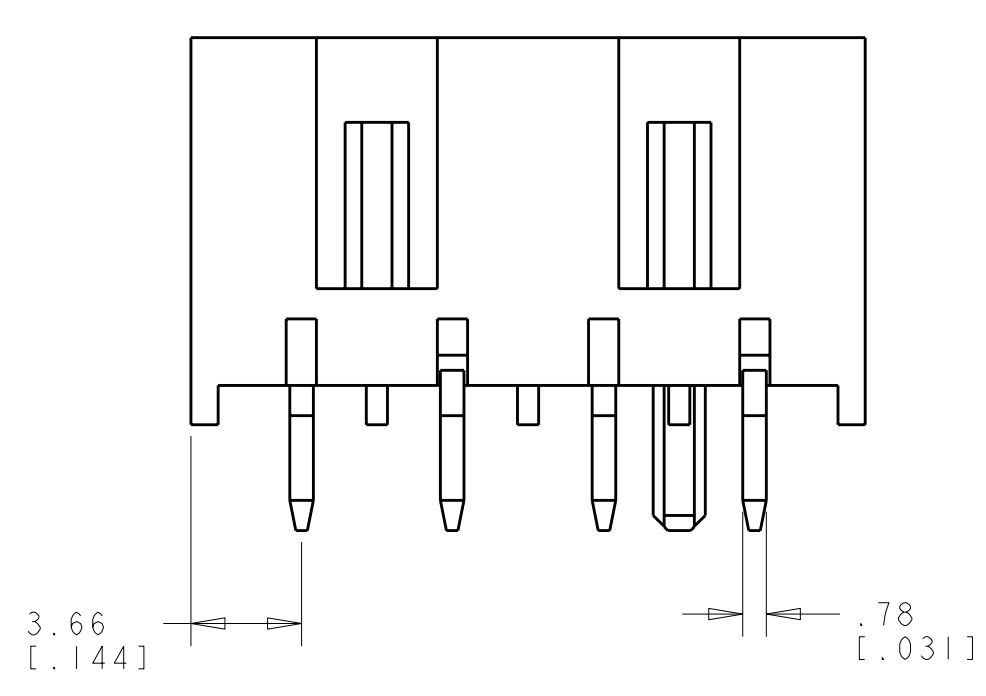
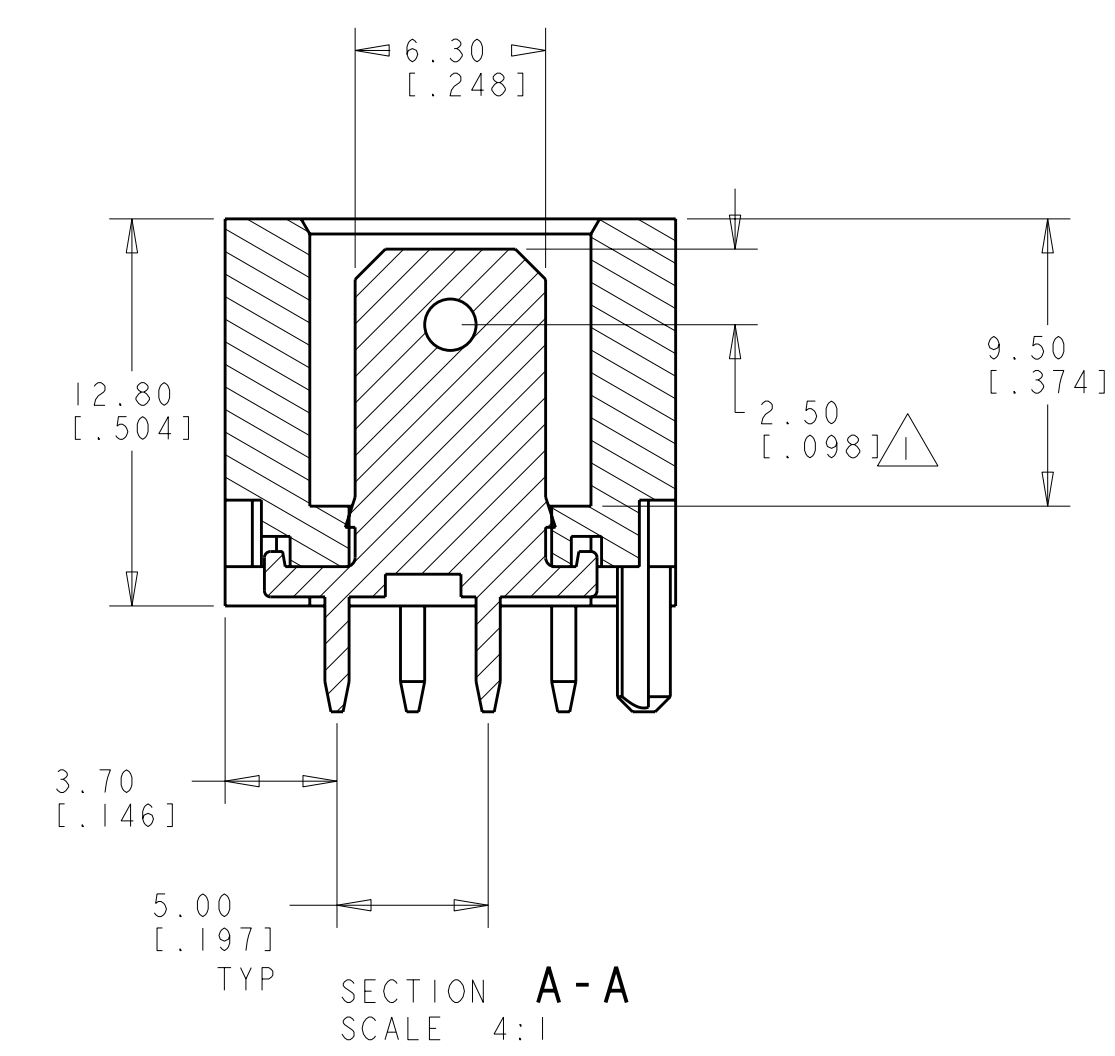
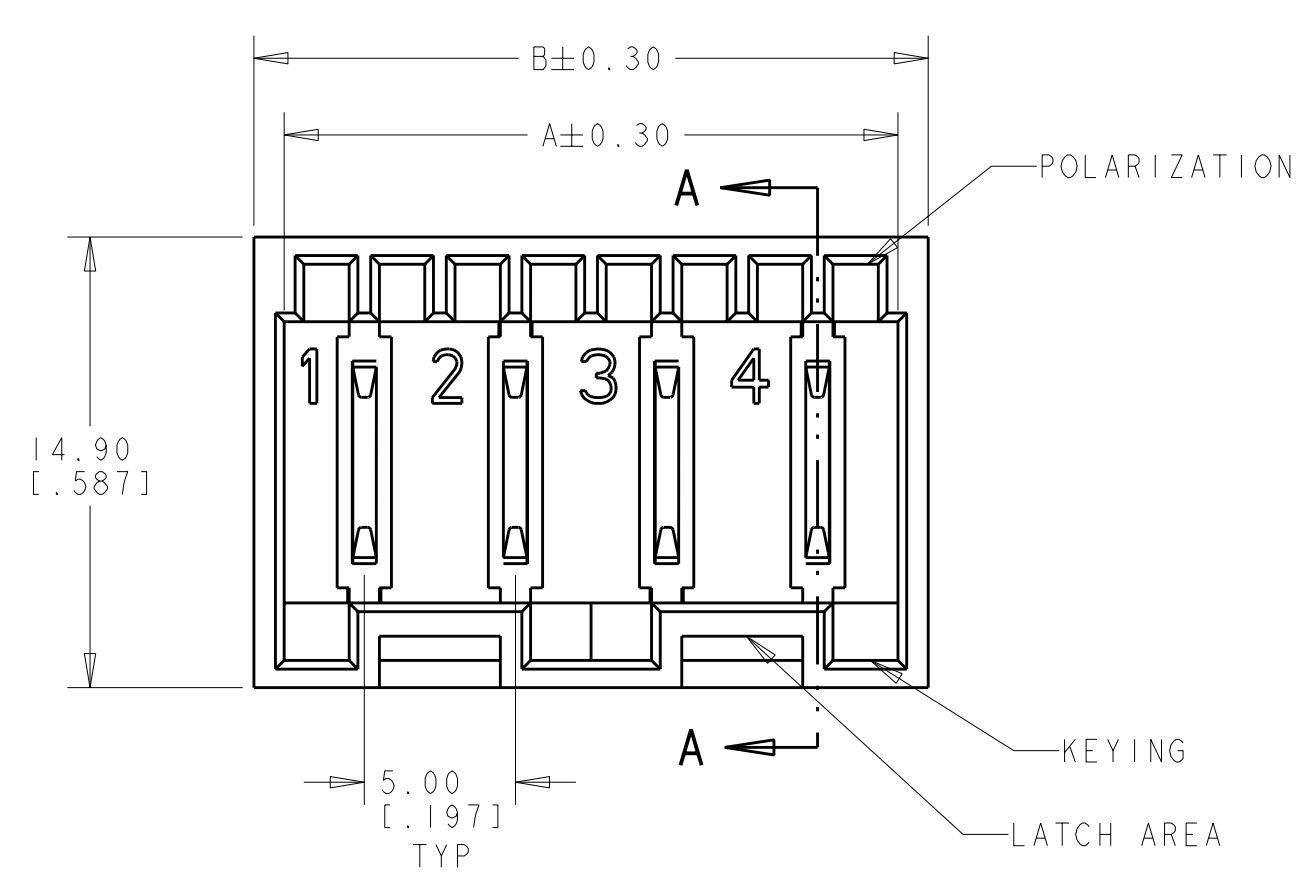


LOC	DIST	REVISIONS			
P	LT#	DESCRIPTION	DATE	DWN	APVD
AF	50	F6	REV PER ECR 09-020823	120C109	JR RL



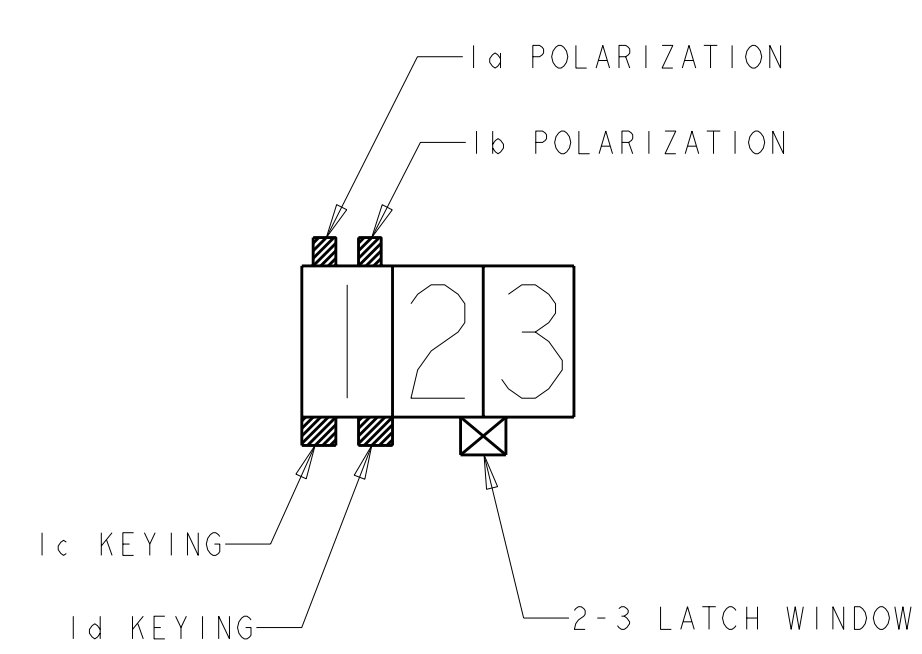
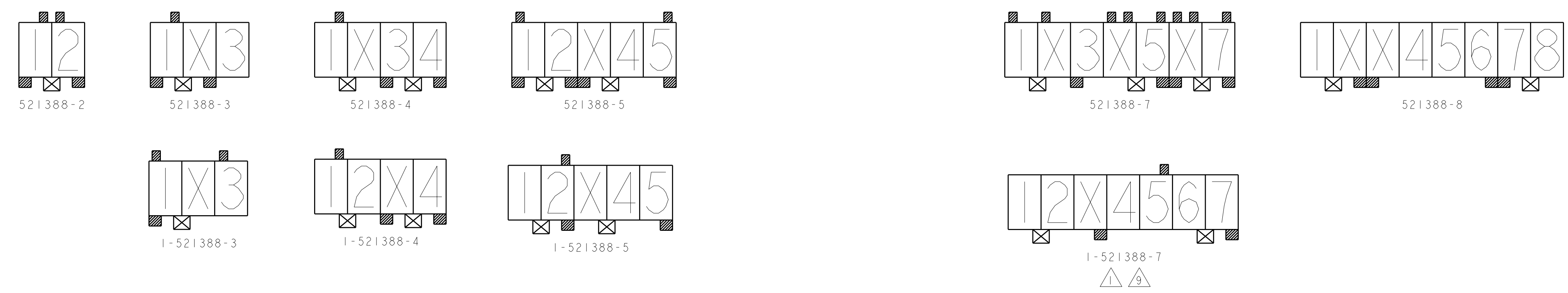
PCB LAYOUT - COMPONENT SIDE
 PCB 1.5±0.2 [.059±.007] THICK
 SCALE 4:1

- 1 HOUSING HAS RAST 5 COMPLIANT KEYING, LATCHING, AND POLARIZATION. TAB IS 6.3 x 0.8 [.248 x .032], HOWEVER, THE LOCATION OF THE TAB HOLE DOES NOT MEET DIN 46244.
- 2 POSSIBLE TYCO MATING CONNECTOR FAMILIES INCLUDE POSITIVE-LOCK RAST 5, STANDARD TIMER RAST 5, MULTIFITTING, MULTIFITTING MKII, AND MONO-SHAPE TAB CONNECTORS.
- 3 DIMENSION OFF OF LAST POSITION REGARDLESS OF EVEN OR ODD POSITION CONNECTOR.
- 4 MATERIAL: HOUSING, NYLON 66, UL 94V-0. CONTACT, BRASS, 0.8 mm THICK.
- 5 FINISH: CONTACTS, 2µm MIN SILVER OVER 1.3µm MIN NICKEL.
- 6 FINISH: CONTACTS, 3.8 µm MIN TIN OVER 1.3 µm MIN NICKEL.
- 7 PCB TABS INSERTED IN A STAGGERED PATTERN BEGINNING WITH POSITION 1.
- 8 SELECTED HOLES MAY BE 1.05+0.05/-0.00 DIA [.041+.002/-0.001 DIA] FOR IMPROVED (PRESS-FIT) RETENTION TO P.C.B. PRIOR TO SOLDERING.
- 9 PRELIMINARY - NOT FOR PRODUCTION

42.3	40.3	8
37.3	35.3	7
32.3	30.3	6
27.3	25.3	5
22.3	20.3	4
17.3	15.3	3
12.3	10.3	2
B	A	NO. OF POS.

DIMENSIONS: mm [INCHES] TOLERANCES UNLESS OTHERWISE SPECIFIED: 9 PLC ± 1 PLC ±0.25(.010) 5 PLC ± 4 PLC ± ANGLES ±2° FINISH SEE TABLE		DWN R FLAIG 19MAR2004 CHK J HUMMEL 19MAR2004 APVD J HUMMEL 19MAR2004 PRODUCT SPEC 108-2183 APPLICATION SPEC WEIGHT CUSTOMER DRAWING	Tyco Electronics Harrisburg, PA 17105-3608 ASSEMBLY, POSITIVE LOCK, RAST 5, SPECIAL VERSION, VERTICAL SIV# 00079 C-52 B88 SCALE 4:1 SHEET 1 OF 2 REV F6
---	--	---	---

LOC	DIST	REVISIONS			
P	LTB	DESCRIPTION	DATE	DWN	APVD
AF	50	SEE SHEET 1			



PICTORIAL VIEW KEY

FINISH	LOADED TAB POSITIONS	LATCH WINDOWS	KEYING	POLAR.	NO. OF POS.	RAST 5 DESIG.	PART NUMBER
6	1, 4, 5, 6, 7, 8	1-2, 7-8	2d, 3c, 6d, 7c	-	8	08-D	521388-8
6	1, 2, 4, 5, 6, 7	1-2, 6-7	3d, 7d	5b	7	07-C	1-521388-7
5	1, 3, 5, 7	1-2, 4-5, 6-7	3c, 5d, 6c, 7d	1a, 2a, 4a, 4b, 5b, 6a, 6b, 7b	7	-	521388-7 9
6	1, 2, 4, 5	1-2, 3-4	2d, 5d	2b	5	-	1-521388-5
6	1, 2, 4, 5	1-2, 3-4	1c, 2d, 3c, 5d	1a, 5b	5	-	521388-5
6	1, 2, 4	1-2, 3-4	3c, 4d	1b	4	04-A	1-521388-4
6	1, 3, 4	1-2, 3-4	3c, 4d	1b	4	04-A	521388-4
6	1, 3	1-2	1c	1a, 3a	3	--	1-521388-3
6	1, 3	1-2	1c, 2d	1b	3	03-A	521388-3
5	FULLY LOADED	1-2	1c, 2d	1b, 2a	2	02-A	521388-2

DIMENSIONS: mm [INCHES] 		TOLERANCES UNLESS OTHERWISE SPECIFIED: 9 PLC ± 1 PLC ±0.25(.010) 5 PLC ± 4 PLC ± ANGLES ±2° FINISH -		DWN R. FLAIG 19MAR2004 CHK J. HUMMEL 19MAR2004 APVD J. HUMMEL 19MAR2004 PRODUCT SPEC 108-2183 APPLICATION SPEC - WEIGHT - CUSTOMER DRAWING		Tyco Electronics Harrisburg, PA 17105-3608 NAME ASSEMBLY, POSITIVE-LOCK, RAST 5, SPECIAL VERSION, VERTICAL SIZE CAGE CODE DRAWING NO. RESTRICTED TO A11 00779 C=521388 SCALE 4:1 SHEET 2 OF 2 REV F 6	
-----------------------------	--	--	--	--	--	--	--